

# SKELETAL SEMI-TRAILER



## TECHNICAL SPECIFICATION

### CHASSIS

Made of "I" mechanically pressed steel carbon profiles, interconnected by means of electrical welding. Reinforced and fixed rear bumper.

### LOAD PLATFORM

Skeletal type. With 12 (twelve) mechanical container locks for one 40' container, two 20' long containers or one 20' container in the middle of the platform.

### SUSPENSION

Suspensys brand, reinforced mechanic type suspension with O3 axles, 39t capacity.

### AXLES

Suspensys brand, with O3 tubular axles in QST 52.3, 5/8" thick steel plate. Outboard disc hubs. With 13 (thirteen) 9:00x22,5 wheels.

### LANDING GEAR

JOST V200G 2-speed landing gear, 24 ton lifting capacity/50 ton static capacity.

### COUPLING AND ARTICULATION

JOST 2" flanged king-pin for coupling to 6x4 tractor unit.

### AIR INSTALLATION

Two lines: service and emergency, with nylon piping, relay and quick relief valve, as per international Standards.

### ELECTRICAL INSTALLATION

As per ISO standard. 24 volts. Rear combined lights for brake, back-up, turning and clearance. Side and front clearance lights. 7-pole plug. Reflectors on rear and each side.

### BRAKE SYSTEM

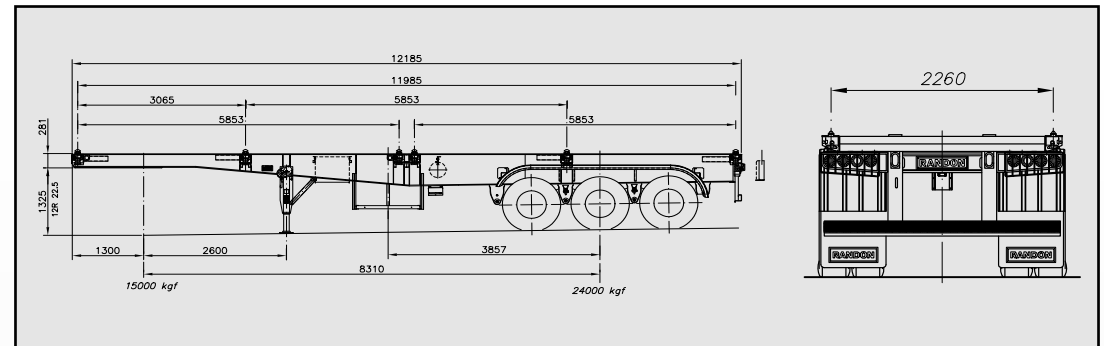
"Q-Plus" Master/Meritor air brakes, 420 x 203 mm (16.1/2 x 8"). 30" service brake chambers. Manual slack adjusters. With safety parking system, "spring brake" type in one axle.

### PAINTING

Polyurethanic painting for the chassis. Chassis gray.

### ACCESSORIES

Metallic wheel-covers, rubber mud flaps, spare carrier for two tyres, wheel spanner, hubodometer, tool box and reflective safety stickers. Metallic net protection for the rear lights.



DESCRIPTION	DIMENSIONS	UNIT
Overall Length	12,200	mm
Overall Height	1,606	mm
Overall Width	2,600	mm
Front Overhang	1,300	mm
Table Coupling Height from ground	1,325	mm
Twist Locks	12	units
Estimated Tare*	6,100	kg
Payload Capacity	35,000	kg

\*Tare considering product with 13 wheels and 13 tires