

TANK SEMI-TRAILER FOR FUEL TRANSPORTATION



TECHNICAL SPECIFICATION

CHASSIS

Made of "I" mechanically pressed steel carbon profiles, interconnected by means of electrical welding. Reinforced and fixed rear bumper.

TANK SHELL

Elliptical polycentric section. Made of ASTM A 283-C and ASTM A 570-36 structural steel plates. Shell thickness: sides 4,25mm, 4,75mm baffles, partitions, bottom, front and rear, with polycentric elliptical section. Simple partitions. With baffles and a passage for maintenance. With O3 (three) compartments. Discharge by gravity with Vlado covers. 4" piping, O1 pneumatic bottom valve per compartment with exit on the left side. One loading and inspection cover steel plate according to ADR regulamentation. With longitudinal protection of the covers with anti-slippery cloth. Access ladder on the rear.

SUSPENSION

Suspensys brand, reinforced mechanic type suspension with O3 axles, 39t capacity.

AXLES

Suspensys brand, with O3 tubular axles in QST 52.3, 5/8" thick steel plate. Outboard disc hubs. With 13(thirteen) 9:00x22,5 wheels.

LANDING GEAR

JOST V200G 2-speed landing gear, 24 ton lifting capacity/ 50 ton static capacity.

COUPLING AND ARTICULATION

3 1/2" flanged JOST king-pin. Coupling to 6x4 vehicle. (for 1300 mm high fifthwheel).

AIR INSTALLATION

Two lines: service and emergency, with nylon piping, relay and quick relief valve. as per international Standards.

ELECTRICAL INSTALLATION

As per ISO standard. 24 volts. Rear combined lights for brake, back-up, turning and clearance. Side and front clearance lights. 7-pole plug. Reflectors on rear and each side.

BRAKE SYSTEM

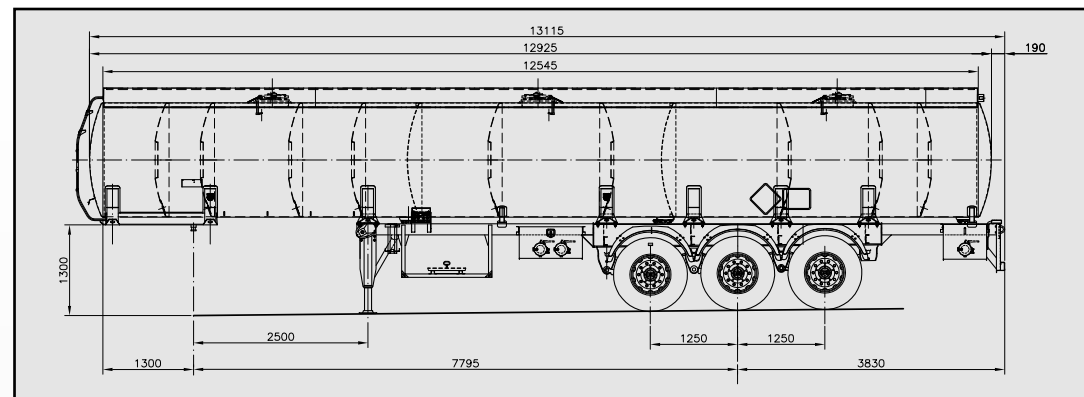
"Q-Plus" Master/ Meritor air brakes, 420 x 203 mm (16.1/2 x 8"). 30" service brake chambers. Manual slack adjusters. With safety parking system, "spring brake" type in one axle.

PAINTING

Polyurethanic painting for the chassis. Chassis gray and the cargo box in white, or according to the customer request. Without lettering.

ACCESSORIES

Plastic fender with rubber mud flaps on the rear, spare carrier for two tires, tool box, wheel spanner, hose and hose carrier. Metallic net protection for the rear lights. With reflective safety stickers.



DESCRIPTION	DIMENSIONS	UNIT
Overall Length	13,400	mm
Overall Height	3,200	mm
Overall Width	2,600	mm
Front Overhang	1,300	mm
Table Coupling Height from ground	1,300	mm
Volumetric Payload Capacity	42,000	lts
Estimated Tare*	11,800	kg
Gross Vehicle Mass	53,800	kg

* Tare considering product with 13 wheels and 13 tires

2010/08 - 500